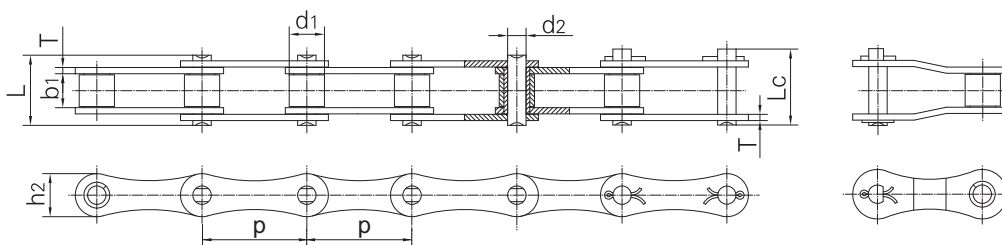
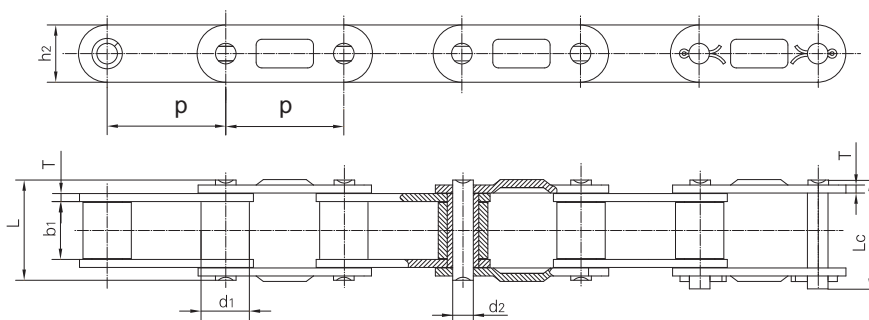


S型
S Type



C型
C Type



链号 Chain No.	节距 Pitch	滚子 直径 Roller diameter	内节内宽 Width between inner plates	销轴 直径 Pin diameter	销轴 长度 Pins length		内链板 高度 Inner plates depth	链板 厚度 Plate thickness	抗拉强度 Ultimate tensile strength	每米 重量 Mass per meter
Dongfeng	p	d1 max	b1 min	d2 max	L max	Lc max	h2 max	T	Fu min	q ≈
	mm	mm	mm	mm	mm	mm	mm	mm	kN	kg/m
S32	29.21	11.43	15.88	4.45	26.70	28.80	13.20	1.80	8.00	0.86
S32V	29.21	11.43	15.88	5.08	27.30	29.70	13.50	2.10	25.00	0.96
S42	34.93	14.27	19.05	7.00	34.30	37.00	19.80	2.80	27.00	1.60
S45	41.40	15.24	22.23	5.72	37.70	40.40	17.30	2.80	18.00	1.66
S51	38.10	15.24	16.00	7.72	30.90	33.80	17.30	2.80	28.00	1.48
S52L	38.10	15.24	16.40	5.72	30.90	33.80	16.50	2.50	29.20	1.36
S52	38.10	15.24	22.23	5.72	37.70	40.40	17.30	2.80	18.00	1.68
55V	41.40	17.90	22.23	8.22	39.30	42.40	20.00	3.00	42.00	2.22
S55	41.40	17.78	22.23	5.72	37.70	40.40	17.30	2.80	18.00	1.80
S55R	41.40	17.78	22.23	8.90	41.00	44.00	22.40	3.50	45.00	2.49
S55RH	41.40	17.78	22.23	8.90	43.20	46.40	22.40	4.00	65.00	2.74
S62	41.91	19.05	26.20	5.72	40.30	43.00	17.30	2.50	26.70	1.87
S77	58.34	18.26	22.23	8.90	43.20	46.40	26.20	4.00	45.00	2.66
S88	66.27	22.86	28.58	8.90	49.80	53.00	26.20	4.00	45.00	3.25
CA642	41.40	15.88	19.00	8.28	36.10	39.10	21.20	3.00	50.00	1.98
CA650	50.80	25.00	18.90	9.53	40.40	44.70	25.00	4.00	90.00	3.49